

Bridge-breaking hopper

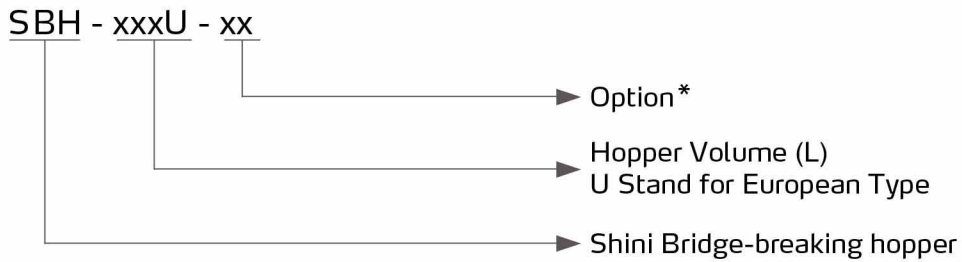
SBH-160U



Refer carefully to this manual before operation.

SBH Series

■ Coding Principle



Notes: *

I=Heat preservation type P=For Polished Hopper Inside

■ Features

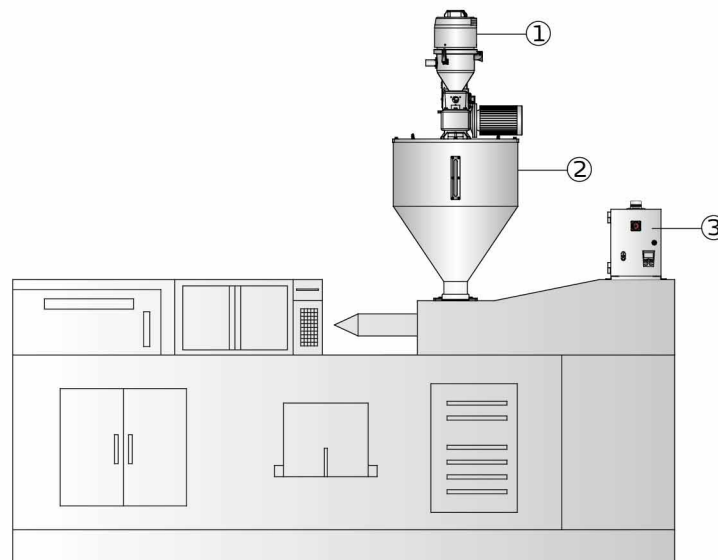
- With bridge-breaking structure and screw blades welded at the end part, it can help the material go into the barrel smoothly.
- There is a supporting structure of rotating shaft inside the hopper for stable operation.
- Equipped with inverter, it allows to adjust the discharge speed according to the production demand.
- Detachable parts for the top (cover, gear motor and screw) for easy clean.
- Equipped with adapter flanges, it can work with SAL-330/360 series to realize auto feeding.
- Equipped with transitional flange, it can collocate with SAL-330/360. The loader should be of bridge-breaking design.

Accessory option

- Equipped with rotary material level sensor as its high material level.
- Flexible Screw Feeder
- Material level sensor

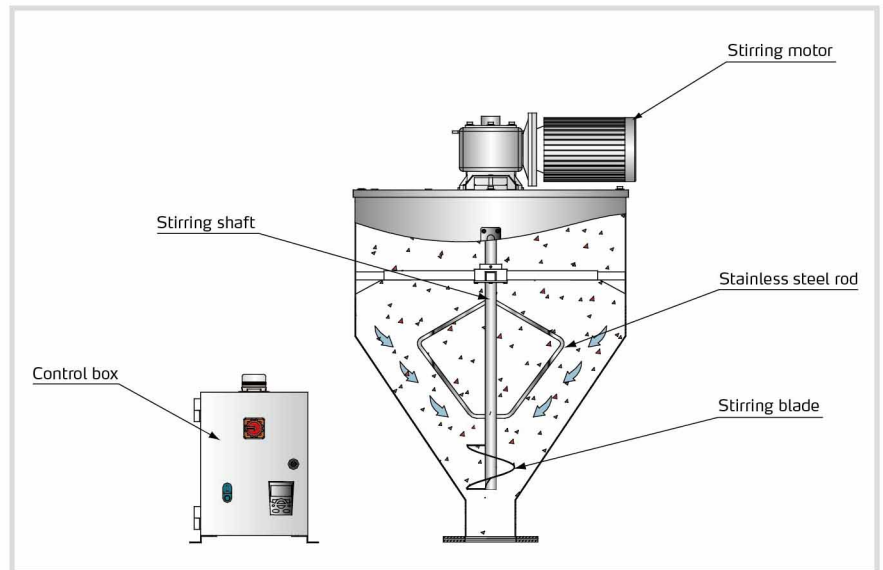
■ Application

1. "Standard" Self-contained Hopper Loader
2. Bridge-Breaking Hopper
3. Control Box

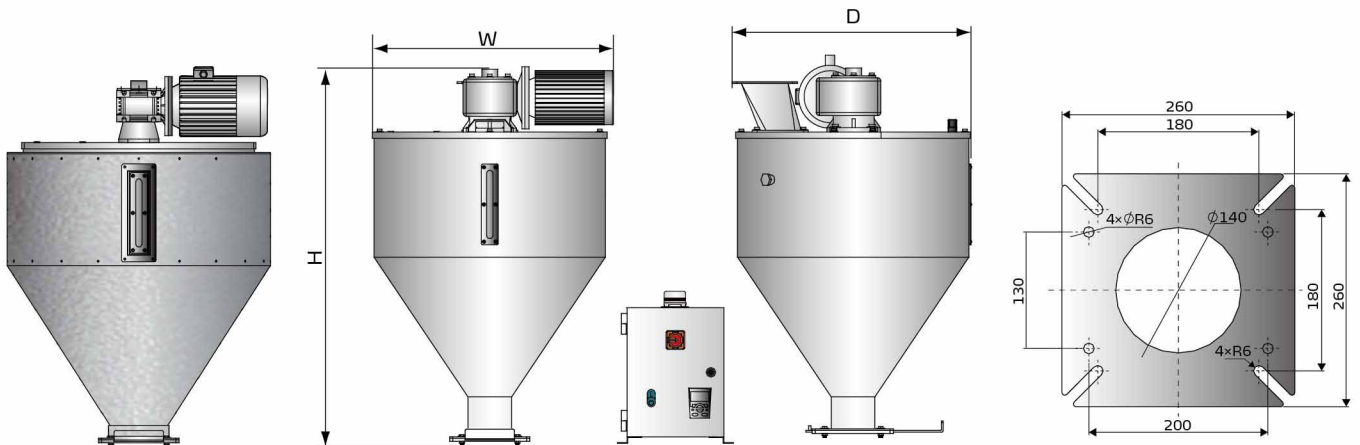


Working Principle

Set a frequency value on the inverter according to the production of the injection molding machine first. Then, start the machine. The main shaft will drive the stirring shaft to stir after the signal of the control box is conveyed to the stirring motor. The stainless steel part of the stirring rod's upper part will break the material and the stirring blades at the bottom will squeeze the material out the discharge port. The frequency value can be changed according to the actual production situation to reach to the production requirement.



Outline Drawings



Heat preservation type (optional)

Standard

Specifications

Model	Motor Power (KW)	Largest Throughput (kg/hr)	Volume (L)	Dimensions H×W×D (mm)
SBH-160U	1.5	5000	160	1175×780×775

- Notes: 1) The largest throughput is based on the test of continuous running of sheet material whose bulk density is 0.3kg/L and dimensions are within 30×30×0.5mm. The data varies along with the material property.
 2) The inside of the hopper have polishing treatment, the model code should be followed by "P".
 3) Frequency range of motor: 10~50Hz
 4) Power supply: 3Φ,230/400V,50/60Hz

ارسا ماشین



سازنده ماشین تزریق پلاستیک

تهران، خیابان دماوند، بلوار اتحاد، نبش خیابان چهارم غربی، شماره ۱
تلفن : ۰۱۳ ۷۷۳۳۲۰۱۳ (+۹۸۲۱) فاکس: ۷۷۳۳۲۲۵۴ (+۹۸۲۱)
کد پستی : ۱۶۵۸۶۹۵۳۱۱

No.1, 4th west st., Ettehad Blvd., Damavand Ave., Tehran, Iran

Fax : (+9821)77332254 Tel : (+9821)77332013

Mobile : (+98) 912 0713928

Zip code : 1658695311

www.arasmachine.co

info@arasmachine.co

